

SUPA SWIFT →

ENGINES

2024



SPECS & PARTS

ENGINE PAGE

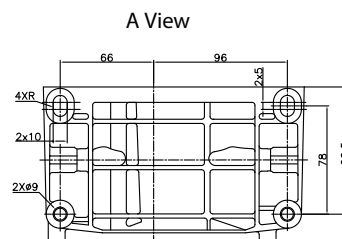
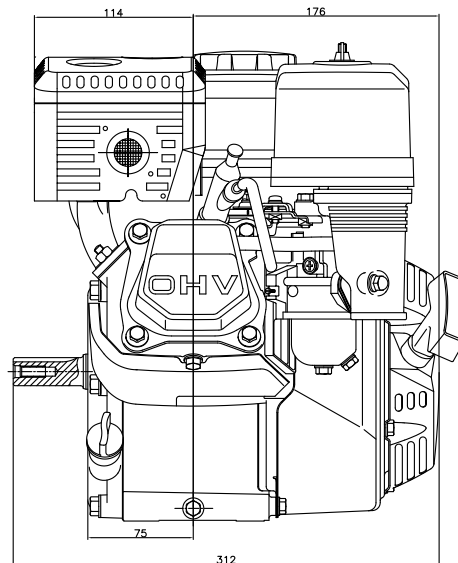
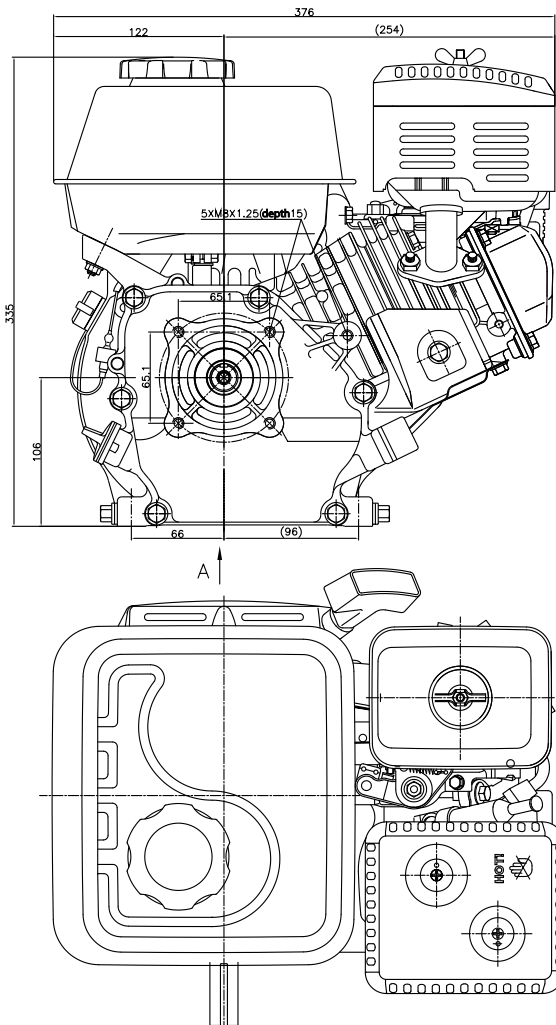
	ENG8378	2
	ENG8390	4
	ENG8388	6
	ENG8386	8
	ENG8380	10
	ENG8549	12
	ENG8551	14



GA POWER
EQUIPMENT
SPARES

 PROUDLY
AUSTRALIAN
OWNED & OPERATED

MODEL	SSH200F
ORIENTATION	HORIZONTAL
DISPLACEMENT	196
TORQUE @ 3600	12.4 NM
KW @ 3600	4.1 KW
CHOKE	MANUAL
CYLINDER BORE	CAST IRON SLEEVE
AIR FILTRATION	DUAL ELEMENT PAPER + FOAM
CRANKSHAFT	3/4"
OIL CAPACITY	0.6 LITRE
FUEL CAPACITY	3.6 LITRE
WEIGHT	16.0 KG
DIMENSIONS	312 X 376 X 335 MM
WARRANTY	DOMESTIC: 3 YEARS, COMMERCIAL: 90 DAYS



AIR FILTER/PRE FILTER	OIL	SPARK PLUG
-----------------------	-----	------------



AIR FILTER:
LON180100034-0001



OIL CAPACITY: 0.6L
SAE 10W-40
LUB6120



NGK: BPR6ES
SPKBPR6ES



ENGINE SERVICE PARTS

OIL FILTER	OIL DIPSTICK	CARBURETTOR
------------	--------------	-------------

N/A



LON110690096-0004



LON170022140-0001

CARBURETTOR GASKET	CARBURETTOR GASKET	CARBURETTOR GASKET
--------------------	--------------------	--------------------



LON170430060-0001



LON170430048-0001



LON170430065-0001

FUEL FILTER	FUEL PUMP	FUEL CAP
-------------	-----------	----------

N/A

N/A



LON170870040-0001

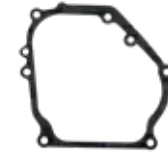
VALVE COVER GASKET	CYLINDER HEAD GASKET	CRANKCASE GASKET
--------------------	----------------------	------------------



LON120250013-T040



LON120150144-T040



LON110830007-T05K

MUFFLER	MUFFLER GASKET	IGNITION COIL
---------	----------------	---------------



LON180570794-0001



LON180650065-T05K



LON270920476-0001

STARTER MOTOR	RECOIL STARTER	REGULATOR / RECTIFIER / STOP SWITCH
---------------	----------------	-------------------------------------

N/A

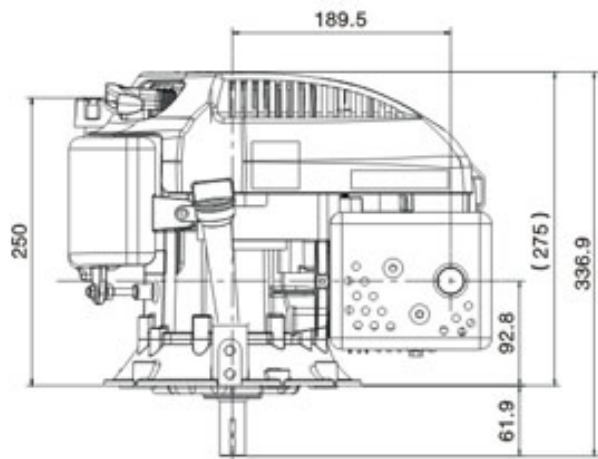
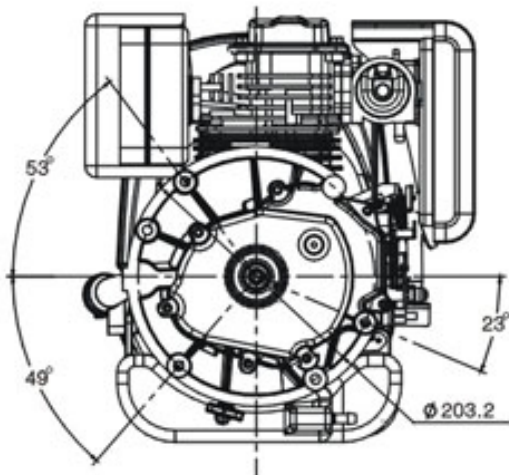
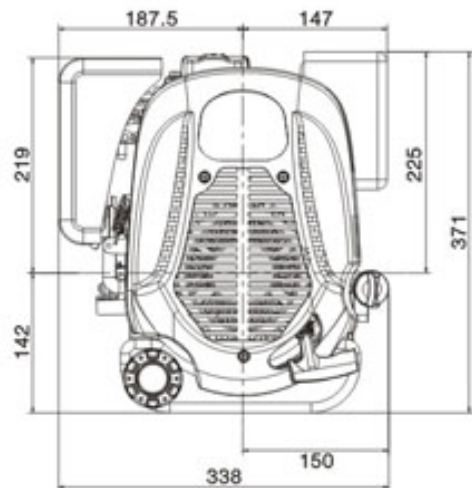
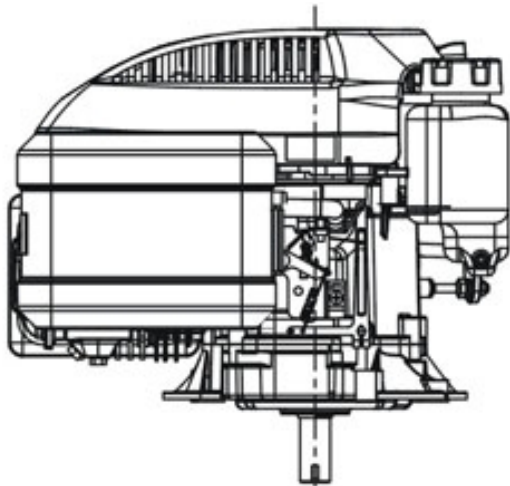






LON193500008-T040



STOP SWITCH:
LON271660031-0001

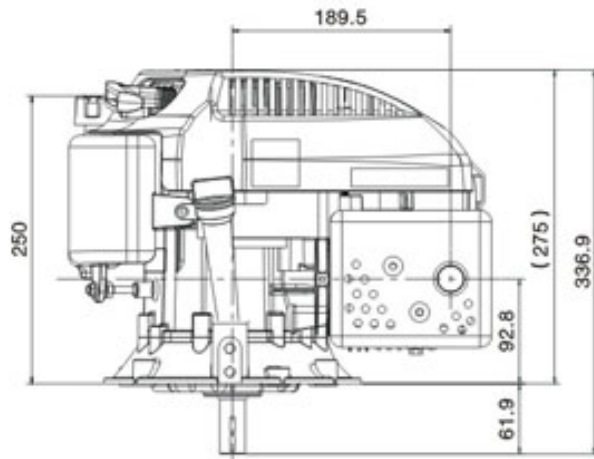
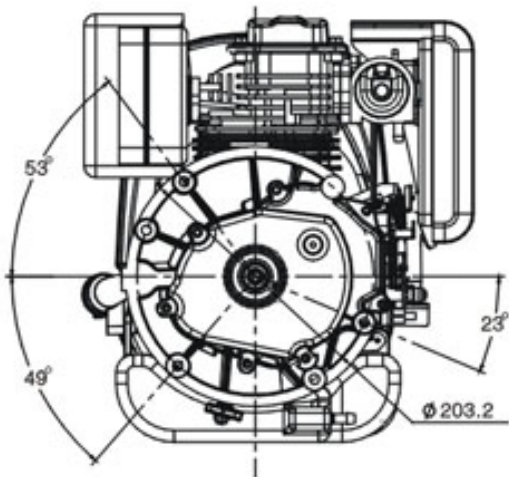
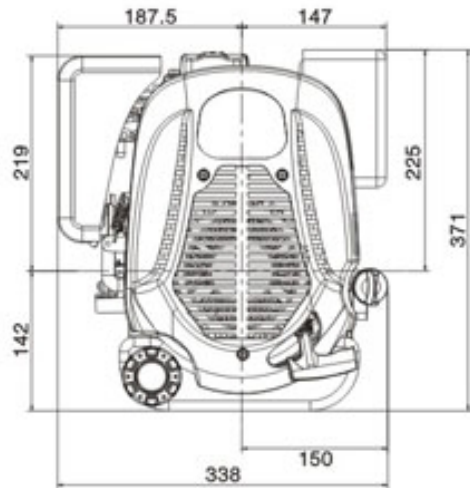
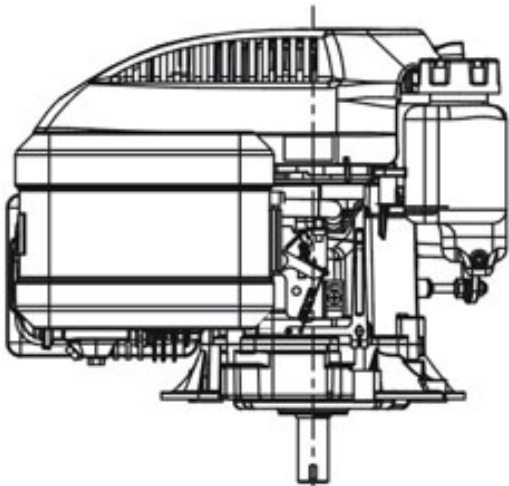
MODEL	SSV140FE
ORIENTATION	VERTICAL
DISPLACEMENT	139CC
TORQUE @ 3600	7.0 NM
KW @ 3600	2.7 KW
CHOKE	AUTO
CYLINDER BORE	ALLOY
AIR FILTRATION	PLEATED PAPER
CRANKSHAFT	7/8"
OIL CAPACITY	0.55 LITRE
FUEL CAPACITY	0.9 LITRE
WEIGHT	8.5 KG
DIMENSIONS	328 X 318 X 245 MM
WARRANTY	DOMESTIC: 3 YEARS, COMMERCIAL: 90 DAYS



AIR FILTER/PRE FILTER	OIL	SPARK PLUG	FUEL FILTER
 <p>AIR FILTER: LON180130347-0001 PRE FILTER: LON180130157-0001</p>	 <p>OIL CAPACITY: 0.6L SAE 10W-40 LUB6120</p>	 <p>NGK: BPR6ES SPKBPR6ES</p>	 <p>LON170010017-0001</p>

OIL FILTER	OIL DIPSTICK	CARBURETTOR
N/A	 <p>LON110690084-0002</p>	 <p>LON170022450-0001</p>
CARBURETTOR GASKET	CARBURETTOR GASKET	CARBURETTOR GASKET
 <p>LON170430148-0001</p>	 <p>LON170430254-0001</p>	N/A
IGNITION COIL	FUEL PUMP	FUEL CAP
 <p>LON270920359-0001</p>	N/A	 <p>LON170870094-0001</p>
VALVE COVER GASKET	CYLINDER HEAD GASKET	CRANKCASE GASKET
 <p>LON120250045-0001</p>	N/A	 <p>ADV8067</p>
MUFFLER	MUFFLER GASKET	STARTER MOTOR
 <p>LON180572097-0002</p>	 <p>LON180660077-0001</p>	N/A
RECOIL STARTER	REGULATOR / RECTIFIER / STOP SWITCH	
 <p>LON193490246-0010</p>	STOP SWITCH: N/A	

MODEL	SSV160FC
ORIENTATION	VERTICAL
DISPLACEMENT	159CC
TORQUE @ 3600	8.3 NM
KW @ 3600	3.0 KW
CHOKE	MANUAL
CYLINDER BORE	CAST IRON SLEEVE
AIR FILTRATION	DUAL ELEMENT PAPER + FOAM
CRANKSHAFT	7/8"
OIL CAPACITY	0.6 LITRE
FUEL CAPACITY	1.0 LITRE
WEIGHT	11.8 KG
DIMENSIONS	371 X 338 X 275 MM
WARRANTY	DOMESTIC: 3 YEARS, COMMERCIAL: 90 DAYS



AIR FILTER/PRE FILTER



AIR FILTER:
LON180130347-0001
PRE FILTER:
LON180130157-0001

OIL



OIL CAPACITY: 0.6L
SAE 10W-40
LUB6120

SPARK PLUG



NGK: BPR6HS
SPKBP6HS

FUEL FILTER



LON170010017-0001



ENGINE SERVICE PARTS

OIL FILTER

N/A

OIL DIPSTICK



LON110690016-0002

CARBURETTOR



LON170021298-0001

CARBURETTOR GASKET



LON170430155-0001

CARBURETTOR GASKET



LON170430147-0001
X 2

CARBURETTOR GASKET



LON170430133-0001

IGNITION COIL



LON270920286-0001

FUEL PUMP

N/A

FUEL CAP



LON170870094-0001

VALVE COVER GASKET



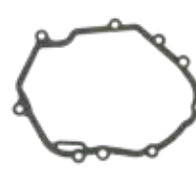
LON120250037-0001

CYLINDER HEAD GASKET



LON120150195-0001

CRANKCASE GASKET



LON110830053-0001

MUFFLER



LON180571313-0001

MUFFLER GASKET



LON180660065-0001

STARTER MOTOR

N/A

RECOIL STARTER



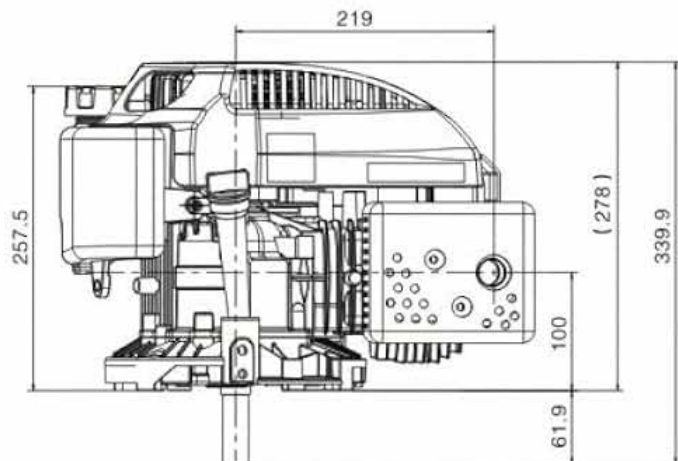
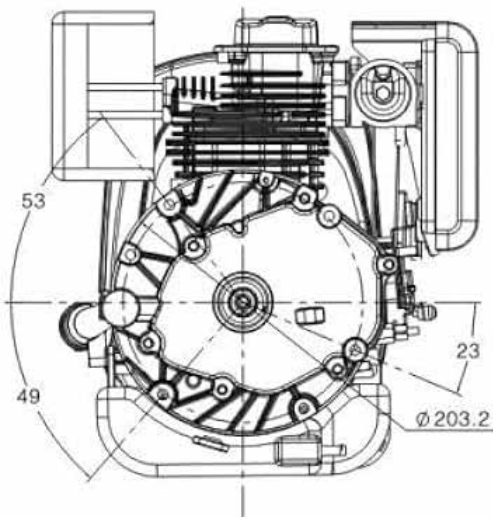
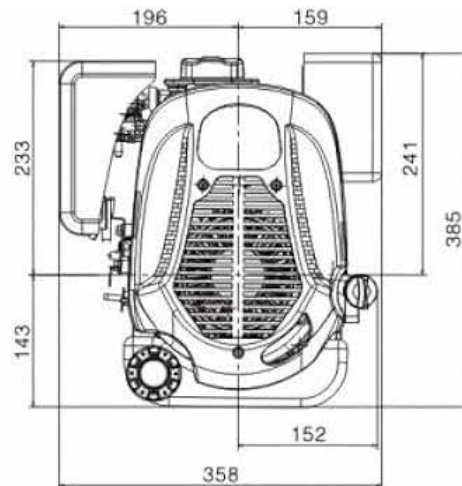
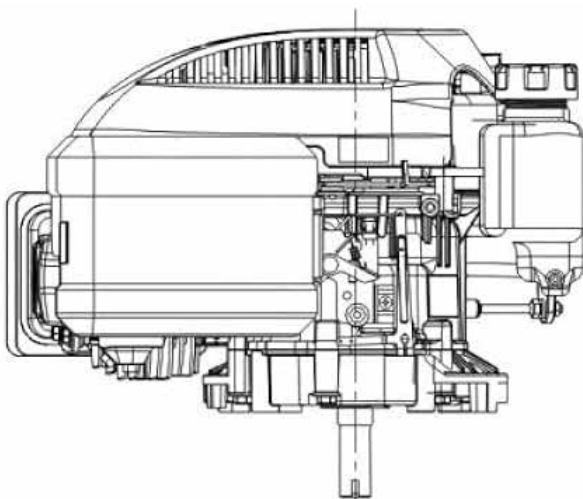
LON193490225-0001

REGULATOR / RECTIFIER / STOP SWITCH



STOP SWITCH: LON271660026-0001

MODEL	SSV200FC
ORIENTATION	VERTICAL
DISPLACEMENT	196CC
TORQUE @ 3600	10.5 NM
KW @ 3600	3.5 KW
CHOKE	MANUAL
CYLINDER BORE	CAST IRON SLEEVE
AIR FILTRATION	DUAL ELEMENT PAPER + FOAM
CRANKSHAFT	7/8"
OIL CAPACITY	0.6 LITRE
FUEL CAPACITY	1.0 LITRE
WEIGHT	12.8 KG
DIMENSIONS	385 X 358 X 278 MM
WARRANTY	DOMESTIC: 3 YEARS, COMMERCIAL: 90 DAYS



AIR FILTER/PRE FILTER



AIR FILTER:
LON180130347-0001
PRE FILTER:
LON180130157-0001

OIL



OIL CAPACITY: 0.6L
SAE 10W-40
LUB6120

SPARK PLUG



NGK: BPR6HS
SPKBPR6HS

FUEL FILTER



LON170010017-0001



ENGINE SERVICE PARTS

OIL FILTER

N/A

OIL DIPSTICK



LON110690016-0002

CARBURETTOR



LON170021310-0001

CARBURETTOR GASKET



LON170430155-0001

CARBURETTOR GASKET



LON170430147-0001
X 2

CARBURETTOR GASKET



LON170430133-0001

IGNITION COIL



LON270920286-0001

FUEL PUMP

N/A

FUEL CAP



LON170870094-0001

VALVE COVER GASKET



LON120250037-0001

CYLINDER HEAD GASKET



LON120150197-0001

CRANKCASE GASKET



LON110830057-0001

MUFFLER



LON180571313-0001

MUFFLER GASKET



LON180660065-0001

STARTER MOTOR

N/A

RECOIL STARTER



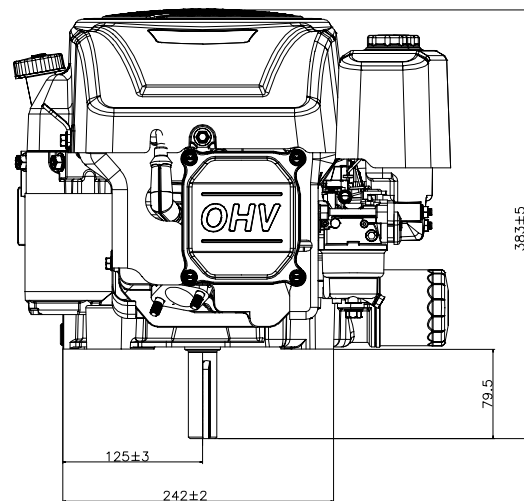
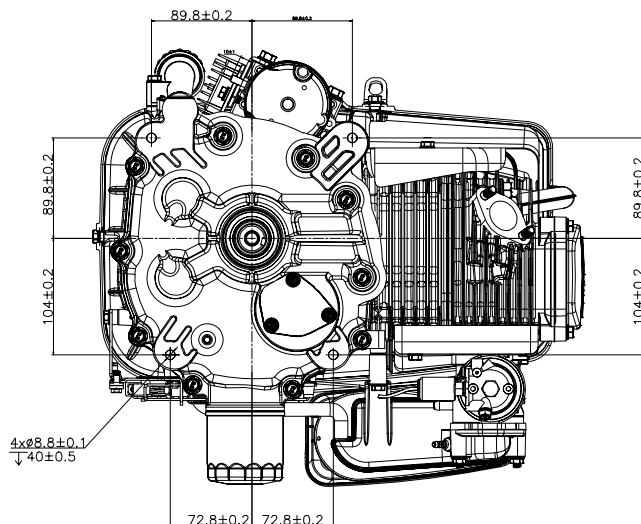
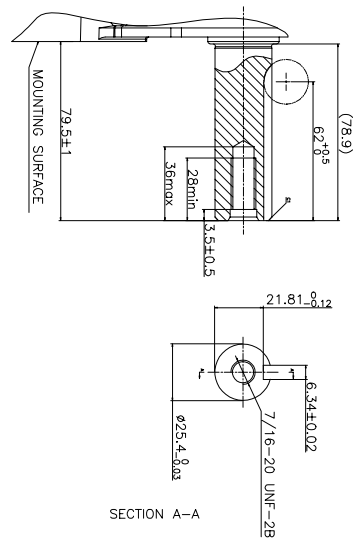
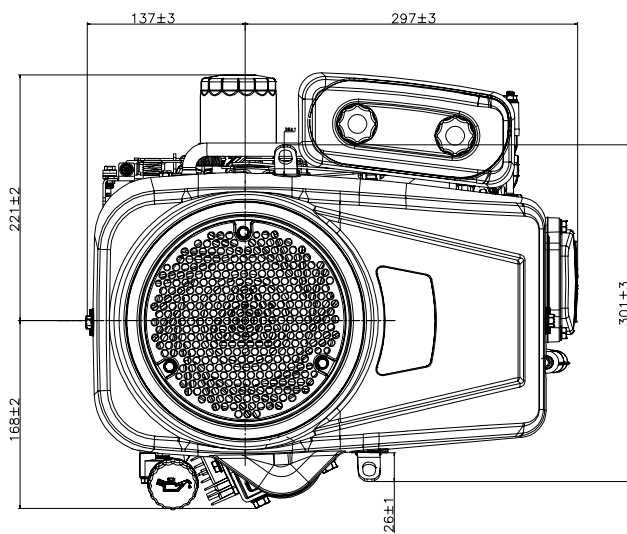
LON193490095-0001

REGULATOR / RECTIFIER / STOP SWITCH



STOP SWITCH: LON271660026-0001

MODEL	SSV450F1
ORIENTATION	VERTICAL
DISPLACEMENT	452CC
TORQUE @ 3600	28.0 NM
KW @ 3600	9.5 KW
CHOKE	MANUAL
CYLINDER BORE	CAST IRON SLEEVE
AIR FILTRATION	DUAL ELEMENT PAPER + FOAM
CRANKSHAFT	1"
OIL CAPACITY	1.2 LITRE
FUEL CAPACITY	N/A
WEIGHT	31.0 KG
DIMENSIONS	432 X 388 X 300 MM
WARRANTY	DOMESTIC: 3 YEARS, COMMERCIAL: 90 DAYS



AIR FILTER/PRE FILTER	OIL	SPARK PLUG
-----------------------	-----	------------



AIR FILTER:
LON180100064-0001
PRE FILTER:
LON180130187-0001



OIL CAPACITY: 1.2L
SAE 10W-40
LUB6125



NGK: BKR5E
SPKBKR5E

OIL FILTER	FUEL FILTER
------------	-------------



LON150350046-0002



LON170010018-T370

IGNITION COIL	OIL DIPSTICK	CARBURETTOR
---------------	--------------	-------------



LON270920251-0004



LON110690048-0001



LON170022566-0001

CARBURETTOR GASKET	CARBURETTOR GASKET	CARBURETTOR GASKET
--------------------	--------------------	--------------------



LON170430101-0001



LON170430099-0001
X 2



LON170430173-0001

FUEL PUMP	VALVE COVER GASKET	CYLINDER HEAD GASKET
-----------	--------------------	----------------------



LON170460026-0001

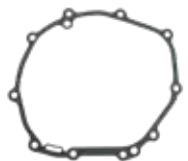


LON120250079-0001



LON120150146-0001

CRANKCASE GASKET	MUFFLER	MUFFLER GASKET
------------------	---------	----------------



LON110830037-T381



LON180572377-0001



LON180650074-0001

STARTER MOTOR	REGULATOR / RECTIFIER / STOP SWITCH
---------------	-------------------------------------

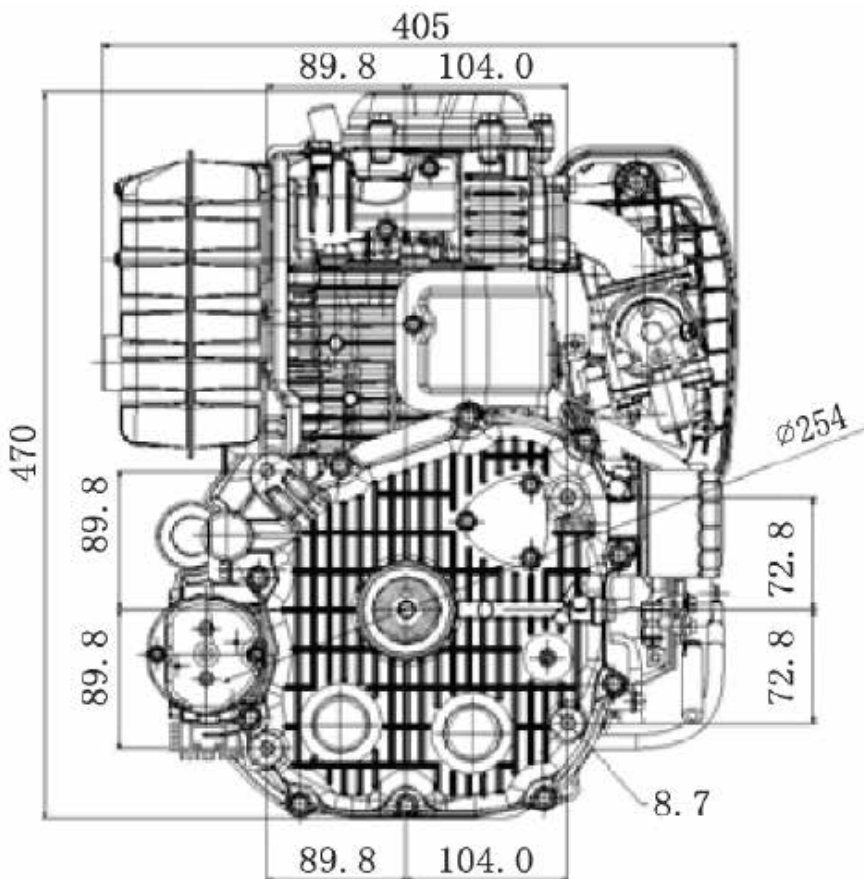


LON270360132-0004



REGULATOR / RECTIFIER:
LON270880173-0001

MODEL	SSV550XP
ORIENTATION	VERTICAL
DISPLACEMENT	547CC
TORQUE @ 3600	33 NM
KW @ 3600	11.5 KW
CHOKE	MANUAL
CYLINDER BORE	CAST IRON SLEEVE
AIR FILTRATION	DUAL ELEMENT PAPER + FOAM
CRANKSHAFT	1"
OIL CAPACITY	1.8 LITRE
FUEL CAPACITY	N/A
WEIGHT	33.0 KG
DIMENSIONS	470 X 405 X 400 MM
WARRANTY	DOMESTIC: 3 YEARS, COMMERCIAL: 90 DAYS



AIR FILTER/PRE FILTER



AIR FILTER:
ZSP100064683

OIL



OIL CAPACITY: 1.8L
SAE 10W-30
LUB6125

SPARK PLUG



NGK: BPR6ES
SPKBPR6ES

OIL FILTER



ZSP100004088-0001



ENGINE SERVICE PARTS

FUEL FILTER



FPL5553

OIL DIPSTICK



ZSP100072193-0001

CARBURETTOR



ZSP100032005

CARBURETTOR GASKET



ZSP100010131

CARBURETTOR GASKET



ZSP100005959

CARBURETTOR GASKET



ZSP100005940

IGNITION COIL



ZSP100009353

FUEL PUMP



ZSP100160639

FUEL CAP

N/A

VALVE COVER GASKET



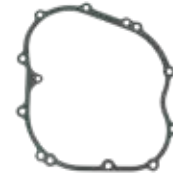
ZSP100061036

CYLINDER HEAD GASKET



ZSP100010232

CRANKCASE GASKET



ZSP100010164

MUFFLER



ZSP100006433

MUFFLER GASKET



ZSP100006542

STARTER MOTOR



ZSP100069008

RECOIL STARTER

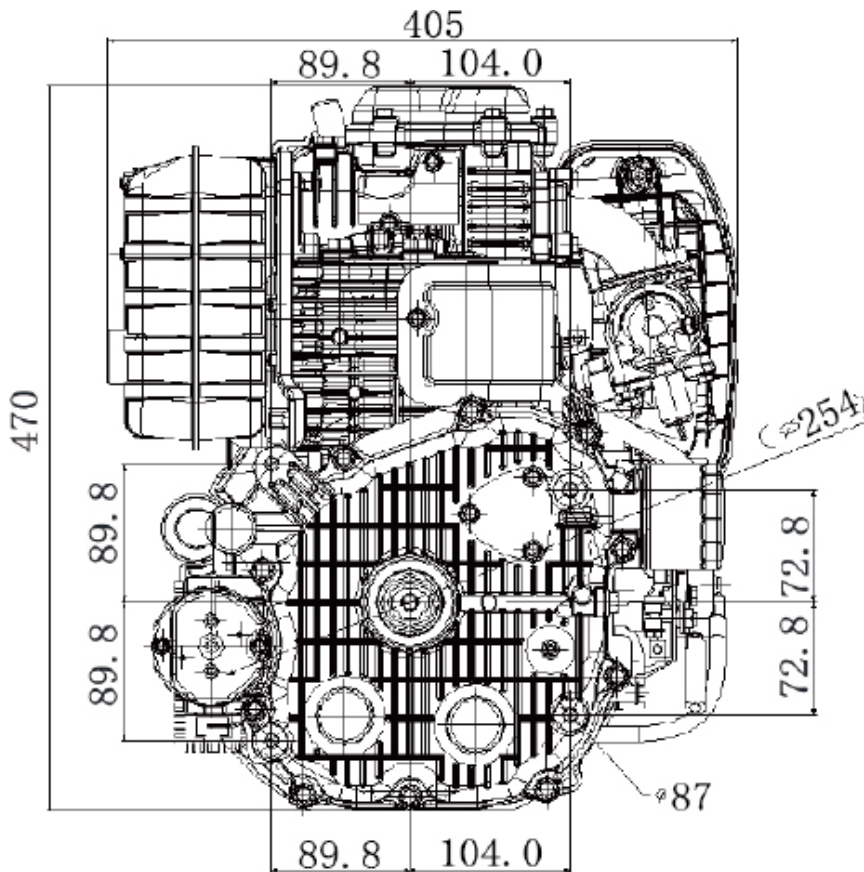
N/A

REGULATOR / RECTIFIER / STOP SWITCH



REGULATOR / RECTIFIER:
ZSP100009472

MODEL	SSV620XP
ORIENTATION	VERTICAL
DISPLACEMENT	622CC
TORQUE @ 3600	40 NM
KW @ 3600	12.5 KW
CHOKE	MANUAL
CYLINDER BORE	CAST IRON SLEEVE
AIR FILTRATION	DUAL ELEMENT PAPER + FOAM
CRANKSHAFT	1"
OIL CAPACITY	1.8 LITRE
FUEL CAPACITY	N/A
WEIGHT	33.0 KG
DIMENSIONS	470 X 405 X 400 MM
WARRANTY	DOMESTIC: 3 YEARS, COMMERCIAL: 90 DAYS



AIR FILTER/PRE FILTER



AIR FILTER:
ZSP100064683

OIL



OIL CAPACITY: 1.8L
SAE 10W-30
LUB6125

SPARK PLUG



NGK: BPR6ES
SPKBPR6ES

OIL FILTER



ZSP100004088-0001



ENGINE SERVICE PARTS

FUEL FILTER



FPL5553

OIL DIPSTICK



ZSP100072193-0001

CARBURETTOR



ZSP100005493

CARBURETTOR GASKET



ZSP100010131

CARBURETTOR GASKET



ZSP100005959

CARBURETTOR GASKET



ZSP100005940

IGNITION COIL



ZSP100009353

FUEL PUMP



ZSP100160639

FUEL CAP

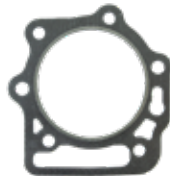
N/A

VALVE COVER GASKET



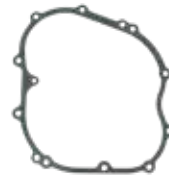
ZSP100061036

CYLINDER HEAD GASKET



ZSP100010235

CRANKCASE GASKET



ZSP100010164

MUFFLER



ZSP100006433

MUFFLER GASKET



ZSP100006542

STARTER MOTOR



ZSP100069008

RECOIL STARTER

N/A

REGULATOR / RECTIFIER / STOP SWITCH



REGULATOR / RECTIFIER:
ZSP100009472

SUPASWIFT →

Proudly distributed by



PROUDLY
AUSTRALIAN
OWNED & OPERATED

Copyright © 2024 Roy Gripske and Sons Pty. Ltd. All rights reserved. #FLY_1205879325028995.

Images are for illustrative purposes only. Specifications subject to change without notice.

SupaSwift is a trademark of Roy Gripske & Sons Pty Ltd. RGS shall not be liable for technical or editorial errors or omissions contained herein, nor for incidental or consequential damages resulting from furnishing this material. The information is provided "as is" without warranty of any kind and is subject to change without notice. RGS also reserves the right to revise the content of this document at any time without prior notice. No part of this document may be reproduced or transmitted in any form or by any means, electronic or mechanical, including photocopying, recording or storing in a retrieval system, or translated into any language form without prior written permission of Roy Gripske & Sons Pty. Ltd.

CONTACT

QUEENSLAND (HEAD OFFICE)

☎ 1300 363 004 📠 1800 636 973
✉ sparesqld@rgs.com.au
Tim Rudd: 0413 622 690
Kevin Lavender: 0413 622 685
Dean Atreed: 0407 223 351
Peter Cosgrove: 0413 622 694
Chris Bain: 0400 267 696

NSW

☎ 1300 363 005 📠 1800 640 366
✉ sparesnsw@rgs.com.au
Steve Projceski: 0413 622 695
Troy Wray: 0413 622 681
John Baglee: 0413 622 696

VICTORIA

☎ 1300 760 480 📠 1800 220 582
✉ sparesvic@rgs.com.au
Peter Leopold: 0408 622 692
Liam Markby: 0408750163

WA

☎ 1300 307 574 📠 1800 023 888
✉ spareswa@rgs.com.au
Tim Nolan: 0438 105 940

SA

☎ 1300 781 352 📠 1800 453 352
✉ sparessa@rgs.com.au
Tim Nolan: 0438 105 940

TASMANIA

☎ (03) 6391 8058 📠 (03) 6391 8410
✉ sparestas@rgs.com.au
Ashley McCormack: 0418 133 321